

Ultra-met®

carbide technologies

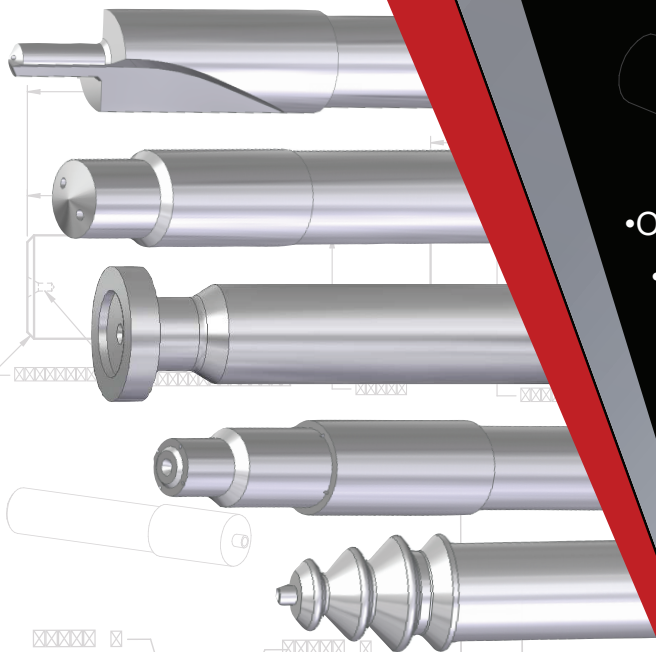
www.ultra-met.com

MADE IN USA

NOW OFFERING FLUTED PREFORMS

Call today!

1-800-543-9952



- Offered in Ultra-Met's UF110 Ultra fine grade, 10-15 day Delivery
- Diameters up to 2" max and lengths up to 7" OAL
- Single and multiple diameters.
Multiple hole configurations available. Lead time/capability is based on drill inventory and Ultra-met review.
- Female Centers, Male Centers, Lapped centers available.
- OD grinding is offered for shanks and diameters.
Will add 5-10 working days to delivery.

• Minimum Grind stock: 0.030" on diameters and 0.060' on OAL

• Max T.I.R.: 0.008"-0.010"

• Straight flutes now available.

*Items that are not covered in this outline will need to be reviewed by Ultra-met

CUSTOMER SERVICE

PH (800) 543-9952

FAX (937) 653-4754

customerservice@ultra-met.com

720 North Main Street

Urbana, Ohio 43078



MANUFACTURED IN THE USA